

# KULEVENTIL

## TYPE F-212, DN 15 - 50



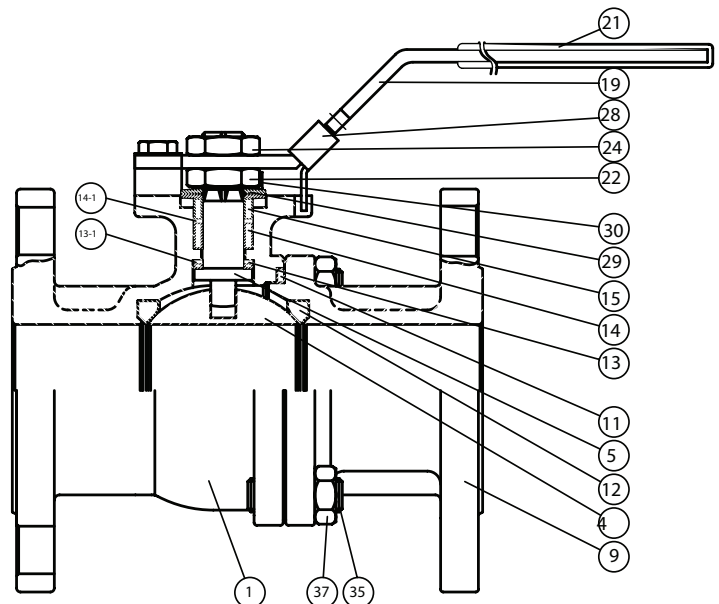
Kuleventil type F-212 benyttes i all type industri, for avstenging av væsker og gasser.

Den leveres med spak, gir eller aktuator (pneumatisk, elektrisk eller hydraulisk).

BAGGES AS kan bistå med valg og dimensjonering av ventil og aktuator. Alle ventiler er trykktestet før de forlater fabrikk.

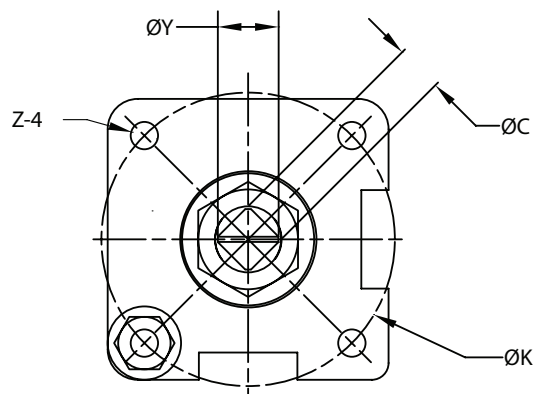
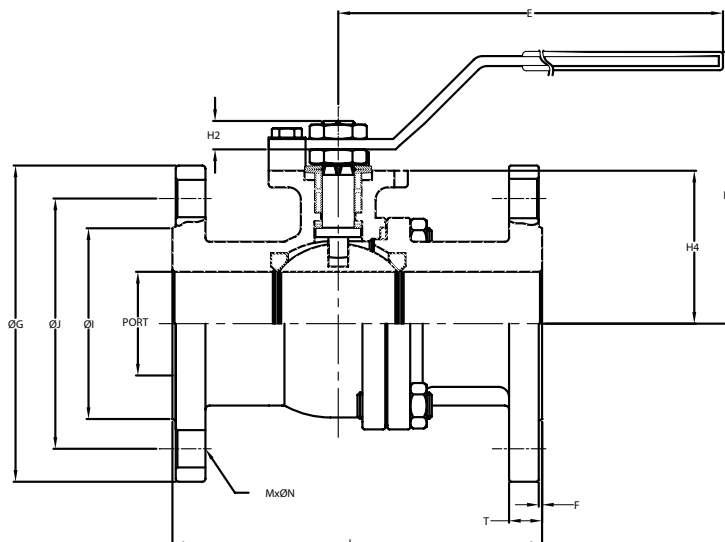
- Ventilen er "fire safe" i henhold til API 607, versjon 5 2005
- Ventilen leveres med flenser og er 2-delt
- Trykkklasse PN 10-16
- Fullt løp, DIN3202 F4
- Toppflens etter ISO 5211

POS	Forklaring	Materiale
1	Hus	Syrefast stål 1.4408
4	Kule	Syrefast stål 1.4408
5	Spindel	Syrefast stål SS.316
9	Endestykke	Syrefast stål 1.4408
11	Hus tetning	Grafitt
12	Sete	R-PTFE
13	Skive	R-PTFE
13-1	Skive	Grafitt
14	Spindel tetning	R-PTFE
14-1	Spindel tetning	Grafitt
15	Gland	Rustfritt stål SS.304
19	Håndtak	Rustfritt stål SS.304
21	Plastbeskyttelse	PVC
22	Mutter	Rustfritt stål SS.304
24	Mutter	Rustfritt stål SS.304
29	Skive	Rustfritt stål SS.301
30	Skive	Rustfritt stål SS.304
35	Bolt	ASTM A193 Gr.B8
37	Mutter	ASTM A193 Gr.8



# KULEVENTIL

## TYPE F-212, DN 15 - 50



DN	mm	15	20	25	32	40	50
	Inch	½"	¾"	1"	1 ¼"	1 ½"	2"
PORT		15,0	20,0	25,0	32,0	38,0	50,0
L		115,0	120,0	125,0	130,0	140,0	150,0
E		132,0	132,0	166,0	166,0	198,0	198,0
H		80,0	84,5	102,0	105,0	125,0	132,0
H2		8,5	8,5	12,0	12,0	12,0	12,0
H4		38,5	42,5	52,0	56,0	65,3	73,8
C		9,0	9,0	11,0	11,0	14,0	14,0
Y		11,2	11,2	14,3	14,3	18,0	18,0
G		95,0	105,0	115,0	140,0	150,0	165,0
J		65,0	75,0	85,0	100,0	110,0	125,0
I		45,0	58,0	68,0	78,0	88,0	102,0
T		16,0	18,0	18,0	18,0	18,0	20,0
F		2,0	2,0	2,0	2,0	2,0	2,0
M + N		4 + 14,0	4 + 14,0	4 + 14,0	4 + 14,0	4 + 14,0	4 + 14,0
K		F04	F04	F05	F05	F07	F07
Z		M5	M5	M6	M6	M8	M8

Overnevnte informasjon er etter vår kunnskap korrekt, men vi forbeholder oss retten til endringer uten nærmere varsel.